

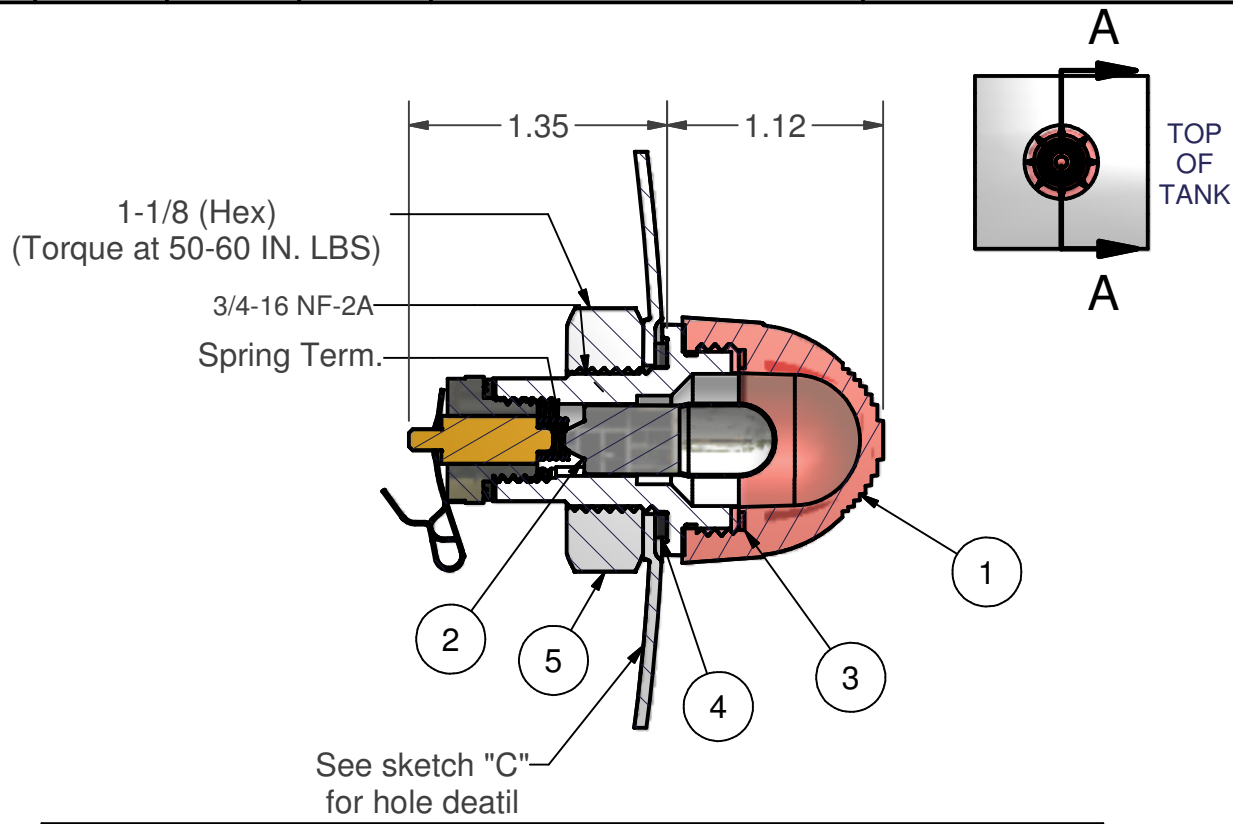
UNLESS OTHERWISE SPECIFIED

ERMCO COMPONENTS, INC.

DWG NO. 2701K001  
 SH. NUMBER OF SHS.  
 TITLE: SIGNAL LIGHT ASSEMBLY  
 FIRST MADE FOR: Signal Light

SURFACES	TOLERANCES		
	2 PL DEC	3 PL DEC	ANGLES
✓	± .010	± .005	±

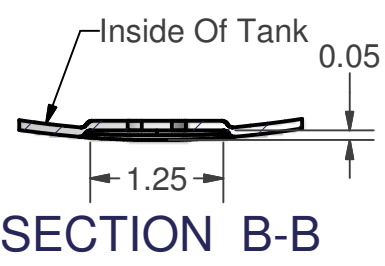
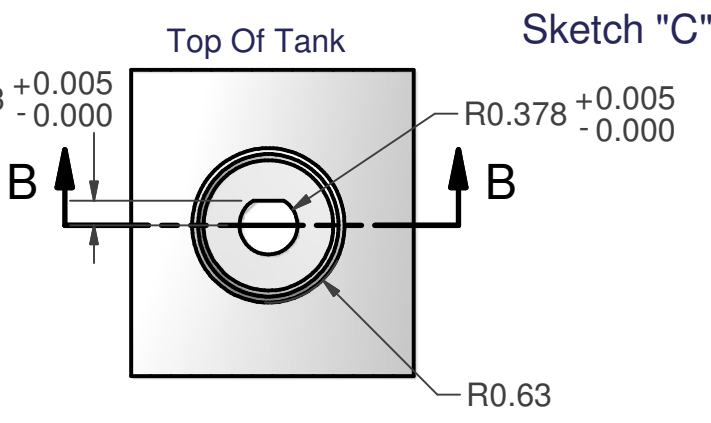
THE INFORMATION CONTAINED ON THIS DOCUMENT IS PROPRIETARY TO ERMCO COMPONENTS, INC. AND MAY NOT BE USED FOR ANY OTHER PURPOSES THAN THOSE EXPRESSLY AUTHORIZED BY ECI.



REVISIONS

Updated hex jam nut to P22 ECN B286	N. Adams 07/31/06	3
Chg size of hex nut ECN B384	N. Adams 2/15/08	4
Updated the terminal and spring clip on the signal light.	N. Adams 11/16/04	1
Chg. cat no. from 7591ZE9499 to 7591ZE9399	N. Adams 2/09/05	2

Parts List		
ITEM	PART NUMBER	DESCRIPTION
	7591ZE9399	COMPLETE ASSEMBLY
1	5999ZB0199	LENS (RED)
2	5999ZR8399	LIGHT BULB
3	5111ZA0399	GASKET
4	5111ZA5399	GASKET
5	2710K003P22	HEX JAM NUT



DRAWN BY: R. GILLAND  
 ECN: 2/19/2003  
 ISSUED BY: Nicholas Adams  
 ECN: 2/15/2008

APPROVAL: ECI

DWG NO. 2701K001  
 SH. NUMBER OF SHS.  
 TITLE: SIGNAL LIGHT ASSEMBLY